

BS EN ISO 1518-1:2011



BSI Standards Publication

Paints and varnishes — Determination of scratch resistance

Part 1: Constant-loading method (ISO
1518-1:2011)

NO COPYING WITHOUT BSI PERMISSION EXCEPT AS PERMITTED BY COPYRIGHT LAW

raising standards worldwide[™]

Copyright European Committee for Standardization
Provided by IHS under license with CEN
No reproduction or networking permitted without license from IHS

Not for Resale

BSI

National foreword

This British Standard is the UK implementation of EN ISO 1518-1:2011. It supersedes BS EN ISO 1518:2001 which is withdrawn.

The UK participation in its preparation was entrusted to Technical Committee STI/10, Test methods for paints.

A list of organizations represented on this committee can be obtained on request to its secretary.

This publication does not purport to include all the necessary provisions of a contract. Users are responsible for its correct application.

© BSI 2011

ISBN 978 0 580 75227 8

ICS 87.040

Compliance with a British Standard cannot confer immunity from legal obligations.

This British Standard was published under the authority of the Standards Policy and Strategy Committee on 31 July 2011.

Amendments issued since publication

Date	Text affected
------	---------------

考

LQA提供仅供参考

考

English Version

Paints and varnishes - Determination of scratch resistance - Part
1: Constant-loading method (ISO 1518-1:2011)

Peintures et vernis - Détermination de la résistance à la
rayure - Partie 1: Méthode à charge constante (ISO 1518-
1:2011)

Beschichtungsstoffe - Ritzprüfung (ISO 1518-1:2011)

This European Standard was approved by CEN on 8 January 2011.

CEN members are bound to comply with the CEN/CENELEC Internal Regulations which stipulate the conditions for giving this European Standard the status of a national standard without any alteration. Up-to-date lists and bibliographical references concerning such national standards may be obtained on application to the CEN-CENELEC Management Centre or to any CEN member.

This European Standard exists in three official versions (English, French, German). A version in any other language made by translation under the responsibility of a CEN member into its own language and notified to the CEN-CENELEC Management Centre has the same status as the official versions.

CEN members are the national standards bodies of Austria, Belgium, Bulgaria, Croatia, Cyprus, Czech Republic, Denmark, Estonia, Finland, France, Germany, Greece, Hungary, Iceland, Ireland, Italy, Latvia, Lithuania, Luxembourg, Malta, Netherlands, Norway, Poland, Portugal, Romania, Slovakia, Slovenia, Spain, Sweden, Switzerland and United Kingdom.

LQA提供仅供参考



EUROPEAN COMMITTEE FOR STANDARDIZATION
COMITÉ EUROPÉEN DE NORMALISATION
EUROPÄISCHES KOMITEE FÜR NORMUNG

Management Centre: Avenue Marnix 17, B-1000 Brussels

Foreword

This document (EN ISO 1518-1:2011) has been prepared by Technical Committee ISO/TC 35 "Paints and varnishes" in collaboration with Technical Committee CEN/TC 139 "Paints and varnishes", the secretariat of which is held by DIN.

This European Standard shall be given the status of a national standard, either by publication of an identical text or by endorsement, at the latest by December 2011, and conflicting national standards shall be withdrawn at the latest by December 2011.

Attention is drawn to the possibility that some of the elements of this document may be the subject of patent rights. CEN [and/or CENELEC] shall not be held responsible for identifying any or all such patent rights.

This document supersedes EN ISO 1518:2000.

According to the CEN/CENELEC Internal Regulations, the national standards organizations of the following countries are bound to implement this European Standard: Austria, Belgium, Bulgaria, Croatia, Cyprus, Czech Republic, Denmark, Estonia, Finland, France, Germany, Greece, Hungary, Iceland, Ireland, Italy, Latvia, Lithuania, Luxembourg, Malta, Netherlands, Norway, Poland, Portugal, Romania, Slovakia, Slovenia, Spain, Sweden, Switzerland and the United Kingdom.

Endorsement notice

The text of ISO 1518-1:2011 has been approved by CEN as a EN ISO 1518-1:2011 without any modification.

LQA提供仅供参考

提供仅供参考

Contents

Page

Foreword iv

1 Scope 1

2 Normative references 1

3 Principle 1

4 Apparatus 2

5 Sampling 2

6 Test panels 4

7 Procedure 4

8 Precision 5

9 Test report 6

Bibliography 7

LQA提供仅供参考

提供仅供参考

Foreword

ISO (the International Organization for Standardization) is a worldwide federation of national standards bodies (ISO member bodies). The work of preparing International Standards is normally carried out through ISO technical committees. Each member body interested in a subject for which a technical committee has been established has the right to be represented on that committee. International organizations, governmental and non-governmental, in liaison with ISO, also take part in the work. ISO collaborates closely with the International Electrotechnical Commission (IEC) on all matters of electrotechnical standardization.

International Standards are drafted in accordance with the rules given in the ISO/IEC Directives, Part 2.

The main task of technical committees is to prepare International Standards. Draft International Standards adopted by the technical committees are circulated to the member bodies for voting. Publication as an International Standard requires approval by at least 75 % of the member bodies casting a vote.

Attention is drawn to the possibility that some of the elements of this document may be the subject of patent rights. ISO shall not be held responsible for identifying any or all such patent rights.

ISO 1518-1 was prepared by Technical Committee ISO/TC 35, *Paints and varnishes*, Subcommittee SC 9, *General test methods for paints and varnishes*.

It cancels and replaces ISO 1518:1992, which has been technically revised. The main changes are:

- a) the number of the standard has been changed from ISO 1518 to ISO 1518-1;
- b) a principle clause has been added;
- c) two versions of the test apparatus are now described;
- d) the minimum length of the scratch has been reduced from 60 mm to 40 mm;
- e) the magnification of the lens used to examine the scratch has been specified as at least $\times 4$;
- f) the supplementary test conditions (formerly Annex A) have been integrated in the test report;
- g) a clause on precision has been added;
- h) Annex B specifying a procedure for re-tipping scratch-test needles has been deleted.

ISO 1518 consists of the following parts, under the general title *Paints and varnishes — Determination of scratch resistance*:

— *Part 1: Constant-loading method*

— *Part 2: Variable-loading method*

LQA提供試紙

Paints and varnishes — Determination of scratch resistance —

Part 1: Constant-loading method

1 Scope

This part of ISO 1518 specifies a test method for determining under defined conditions the resistance of a single coating or a multi-coat system of paint, varnish or related product to penetration by scratching with a scratch stylus loaded with a specified load. Penetration of the stylus is to the substrate, except in the case of a multi-coat system, in which case the stylus can penetrate either to the substrate or to an intermediate coat.

The method specified can be carried out

- a) either as a “pass/fail” test, by testing with a single specified load applied to the stylus to assess compliance with a particular specification;
- b) or by applying increasing loads to the stylus to determine the minimum load at which the coating is penetrated.

2 Normative references

The following referenced documents are indispensable for the application of this document. For dated references, only the edition cited applies. For undated references, the latest edition of the referenced document (including any amendments) applies.

ISO 1513, *Paints and varnishes — Examination and preparation of test samples*

ISO 1514, *Paints and varnishes — Standard panels for testing*

ISO 2808, *Paints and varnishes — Determination of film thickness*

ISO 15528, *Paints, varnishes and raw materials for paints and varnishes — Sampling*

3 Principle

A scratch stylus loaded with a specified load is drawn over a coating at a constant speed. The following test parameters are specified:

- the geometry of the stylus tip;
- the range within which the test load may lie and the increments by which it may be increased;
- the procedure by which the stylus is lowered on to the coating;
- the speed at which the stylus travels and the minimum length of the scratch.

The scratch is examined to see if the coating has been penetrated to the extent specified for a single specified test load ("pass/fail" test) or to determine the minimum test load required for penetration.

4 Apparatus

4.1 Scratch apparatus, two versions of which are illustrated in Figure 1 and Figure 2, with the following characteristics:

- The test load acting on the scratch stylus fixed to the load beam can be produced either by a weight attached to the stylus (see Figure 1) or by a weight which slides along a graduated load beam (see Figure 2).
- The test load shall be 1 N to 20 N, shall be adjustable in increments of 0,5 N and shall be accurate to within 0,2 N.
- The test panel held in a panel holder is moved relative to the stylus by means of a linear actuator driven by a motor. The speed at which the stylus travels shall be (35 ± 5) mm/s and the length of the scratch shall be at least 40 mm. The length of the scratch can affect the result.
- A lowering device with a flat ramp brings the stylus smoothly into contact with the coating at the beginning of the movement of the panel holder. The angle of the ramp shall be $(12,5 \pm 2,5)^\circ$.

Some types of apparatus are designed so that the load beam moves and the test panel is fixed. Such types of apparatus may also be used.

4.2 Scratch stylus A, having a hemispherical hard-metal tip of radius $(0,50 \pm 0,01)$ mm.

4.3 Scratch stylus B, having a hemispherical hard-metal tip of radius $(0,25 \pm 0,01)$ mm.

4.4 Scratch stylus C, having a hemispherical synthetic-ruby tip of radius $(0,50 \pm 0,01)$ mm.

4.5 Scratch stylus D, having a hemispherical synthetic-ruby tip of radius $(0,25 \pm 0,01)$ mm.

4.6 Indicating device, based on electrical contact between the stylus and the metallic substrate, to show when the coating has been penetrated.

NOTE 1 This device is not suitable for paints containing electrically conducting pigments, for non-metallic substrates or if penetration to an intermediate non-conducting coat is required.

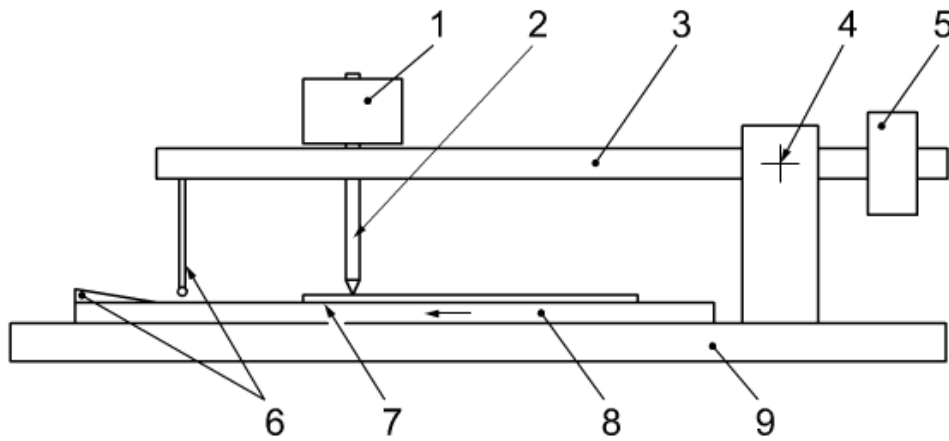
NOTE 2 The indicating device can only be used when certain parts of the scratch apparatus are electrically insulated.

4.7 Magnifying lens, with at least $\times 4$ magnification.

5 Sampling

Take a representative sample of the product to be tested (or of each product in the case of a multi-coat system), as described in ISO 15528.

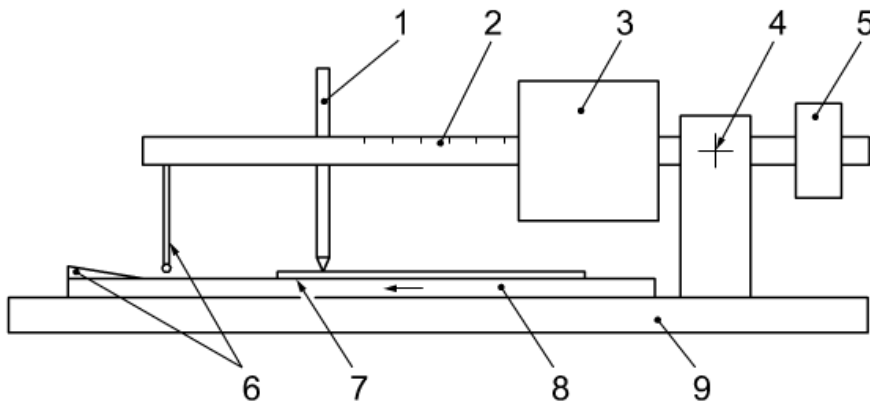
Examine and prepare each sample for testing, as described in ISO 1513.



Key

- 1 weight
- 2 scratch stylus
- 3 load beam
- 4 pivot bearing for load beam
- 5 tare weight
- 6 lowering device (ramp and guide pin)
- 7 test panel
- 8 test panel holder (designed to be driven by a motor to move in the direction of the arrow)
- 9 baseplate

Figure 1 — Scratch apparatus — Version with the weight attached to the stylus



Key

- 1 stylus
- 2 load beam with scale
- 3 sliding weight
- 4 pivot bearing for load beam
- 5 tare weight
- 6 lowering device (ramp and guide pin)
- 7 test panel
- 8 test panel holder (designed to be driven by a motor to move in the direction of the arrow)
- 9 baseplate

Figure 2 — Scratch apparatus — Version with a sliding weight

6 Test panels

6.1 Substrate

The test panels shall be made of steel with a thickness of 0,7 mm to 1,0 mm and shall conform to the requirements of ISO 1514. The panels should preferably have a size of 200 mm × 100 mm.

6.2 Preparation and coating

Prepare each test panel in accordance with ISO 1514 and coat it according to the specified method with the product or system under test.

The method of application of the coating shall be as specified by the manufacturer or agreed between the interested parties and shall be included in the test report [see Clause 9, item c) 2)].

6.3 Drying and conditioning

Dry (or stove) and age, if applicable, each coated test panel for the specified time and under the specified conditions. Before testing, condition the coated panels at a temperature of (23 ± 2) °C and a relative humidity of (50 ± 5) % (i.e. in accordance with ISO 3270) for a minimum period of 16 h. Carry out the test procedure immediately after the removal of the test panels from the conditioning chamber.

The drying (or stoving) and ageing time and conditions shall be as specified by the manufacturer or agreed between interested parties and shall be included in the test report [see Clause 9, item c) 3)].

6.4 Thickness of coating

Determine the thickness, in micrometres, of the dried coating by one of the procedures specified in ISO 2808.

The dry-film thickness shall be as specified by the manufacturer or agreed between the interested parties and shall be included in the test report [see Clause 9, item c) 4)].

7 Procedure

7.1 Test conditions

Carry out the test at (23 ± 2) °C and a relative humidity of (50 ± 5) %.

7.2 General test procedure

7.2.1 Clamp a coated test panel on the panel holder with the coating facing upwards. Position the test panel so that the distance between the scratches to be made will be at least 5 mm and the distance from the scratches to the edge of the test panel will be at least 10 mm.

7.2.2 Fix the scratch stylus in the load beam so that, when in position on the test panel, the stylus will be perpendicular to the panel.

7.2.3 With the stylus unloaded, balance the load beam by means of the tare weight.

7.2.4 Adjust the test load to the required value by placing a weight on the stylus or by moving the sliding weight, depending on the type of apparatus used.

7.2.5 Activate the indicating device, if used, and check that it is functioning correctly.

7.2.6 Start the motor of the apparatus and allow the scratch to be made in the coating. Observe the indicating device during the test, if appropriate, to determine whether electrical contact occurs between the stylus and the substrate.

7.2.7 Remove the panel and immediately examine the scratch, with the aid of the magnifying lens, for penetration to the extent specified.

7.3 Procedure for a single specified load (“pass/fail” test)

Carry out the procedure specified in 7.2 three times on each of two test panels. If the coating has not been penetrated beyond the specified extent in any of the six test runs, report the result as “pass”. If the coating has been penetrated beyond the specified extent in one or more of the six test runs, report the result as “fail”.

7.4 Procedure for determination of the minimum load to cause penetration

Carry out the procedure specified in 7.2, starting at a load which is somewhat less than that expected to cause penetration of the coating. Progressively increase the load on the stylus in suitable increments until the coating is penetrated. Record the minimum load at which the stylus penetrates the coating to the extent specified. Repeat the procedure on a further two panels. Report the lowest result, in newtons, of the three determinations.

8 Precision

In order to determine the precision of the test method, an interlaboratory test was carried out. Four participants tested three different coating systems.

Using the procedure specified in this part of ISO 1518, the minimum load was recorded at which penetration of the stylus to the next layer, as determined by visual examination.

A repeatability limit, r , as defined in ISO 5725-1, could not be determined for this type of destructive test.

The visual inspection of the scratch has a considerable influence on the test result. The visual examination of scratches on “poor” coatings is easy whereas, with scratch-resistant coatings, the onset of scratching is significantly more difficult to observe.

It was agreed by the participants in the interlaboratory test that only the reproducibility limit, (R) (= 30 %), should be stated in this part of ISO 1518 to give an approximate indication of the precision.

LQA提供仅供参考

9 Test report

The test report shall contain at least the following information:

- a) all details necessary to identify the product tested (manufacturer, product code, batch number, etc.);
- b) a reference to this part of ISO 1518 (ISO 1518-1:2011);
- c) details of the preparation of the test panels, including the following:
 - 1) the material, thickness and surface preparation of the substrate (see 6.1),
 - 2) the method of application of the test coating to the substrate, including the duration and conditions of drying between coats in the case of a multi-coat system (see 6.2),
 - 3) the duration and conditions of drying (or stoving) of the coating, and the conditions of ageing, if applicable, before testing (see 6.3),
 - 4) the thickness, in micrometres, of the dry coating and the method from ISO 2808 used to measure it, and whether the coating is a single coating or a multi-coat system (see 6.4);
- d) the scratch stylus used (A, B, C or D);
- e) the specified load applied to the stylus during the test, if applicable ("pass/fail" test);
- f) the specified depth of penetration of the stylus (penetration to the substrate or to an intermediate coat);
- g) the results of the test:
 - either, for each determination, whether or not the coating was penetrated under the specified conditions ("pass/fail"),
 - or the minimum load at which the stylus penetrated the coating;
- h) any deviation (by agreement or otherwise) from the test method specified;
- i) any unusual features (anomalies) observed during the test;
- j) the date of the test.

LQA提供仅供参考

Bibliography

- [1] ISO 3270, *Paints and varnishes and their raw materials — Temperatures and humidities for conditioning and testing*
- [2] ISO 5725-1, *Accuracy (trueness and precision) of measurement methods and results — Part 1: General principles and definitions*

LQA提供仅供参考

LQA提供仅供参考

— 1 —

LQA提供仅供参考

LQA提供仅供参考

LQA提供仅供参考

LQA提供仅供参考

British Standards Institution (BSI)

BSI is the independent national body responsible for preparing British Standards and other standards-related publications, information and services.

It presents the UK view on standards in Europe and at the international level.

It is incorporated by Royal Charter.

Revisions

British Standards are updated by amendment or revision. Users of British Standards should make sure that they possess the latest amendments or editions.

It is the constant aim of BSI to improve the quality of our products and services. We would be grateful if anyone finding an inaccuracy or ambiguity while using this British Standard would inform the Secretary of the technical committee responsible, the identity of which can be found on the inside front cover.

Tel: +44 (0)20 8996 9001 Fax: +44 (0)20 8996 7001

BSI offers Members an individual updating service called PLUS which ensures that subscribers automatically receive the latest editions of standards.

Tel: +44 (0)20 8996 7669 Fax: +44 (0)20 8996 7001

Email: plus@bsigroup.com

Buying standards

You may buy PDF and hard copy versions of standards directly using a credit card from the BSI Shop on the website www.bsigroup.com/shop. In addition all orders for BSI, international and foreign standards publications can be addressed to BSI Customer Services.

Tel: +44 (0)20 8996 9001 Fax: +44 (0)20 8996 7001

Email: orders@bsigroup.com

In response to orders for international standards, it is BSI policy to supply the BSI implementation of those that have been published as British Standards, unless otherwise requested.

Information on standards

BSI provides a wide range of information on national, European and international standards through its Knowledge Centre.

Tel: +44 (0)20 8996 7004 Fax: +44 (0)20 8996 7005

Email: knowledgecentre@bsigroup.com

Various BSI electronic information services are also available which give details on all its products and services.

Tel: +44 (0)20 8996 7111 Fax: +44 (0)20 8996 7048

Email: info@bsigroup.com

BSI Subscribing Members are kept up to date with standards developments and receive substantial discounts on the purchase price of standards. For details of these and other benefits contact Membership Administration.

Tel: +44 (0)20 8996 7002 Fax: +44 (0)20 8996 7001

Email: membership@bsigroup.com

Information regarding online access to British Standards via British Standards Online can be found at www.bsigroup.com/BSOL

Further information about BSI is available on the BSI website at www.bsigroup.com/standards

Copyright

Copyright subsists in all BSI publications. BSI also holds the copyright, in the UK, of the publications of the international standardization bodies. Except as permitted under the Copyright, Designs and Patents Act 1988 no extract may be reproduced, stored in a retrieval system or transmitted in any form or by any means – electronic, photocopying, recording or otherwise – without prior written permission from BSI. This does not preclude the free use, in the course of implementing the standard of necessary details such as symbols, and size, type or grade designations. If these details are to be used for any other purpose than implementation then the prior written permission of BSI must be obtained. Details and advice can be obtained from the Copyright & Licensing Manager.

Tel: +44 (0)20 8996 7070

Email: copyright@bsigroup.com

BSI Group Headquarters

389 Chiswick High Road London W4 4AL UK

Tel +44 (0)20 8996 9001

Fax +44 (0)20 8996 7001

www.bsigroup.com/standards

raising standards worldwide™

Copyright European Committee for Standardization
Provided by IHS under license with CEN
No reproduction or networking permitted without license from IHS

Not for Resale

